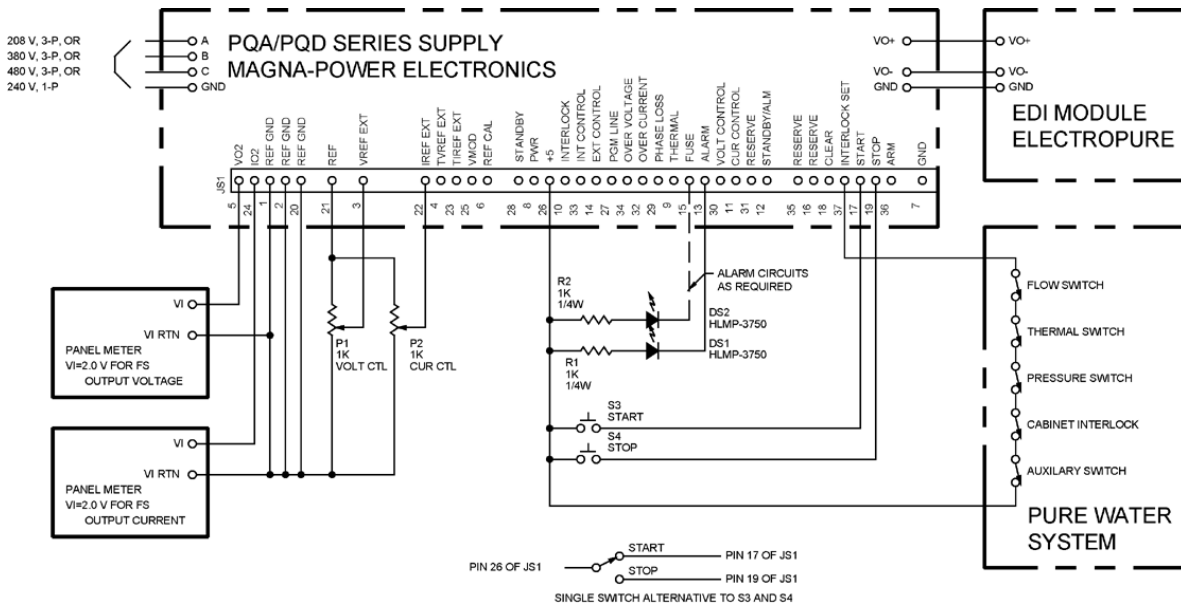




# SUPPORT

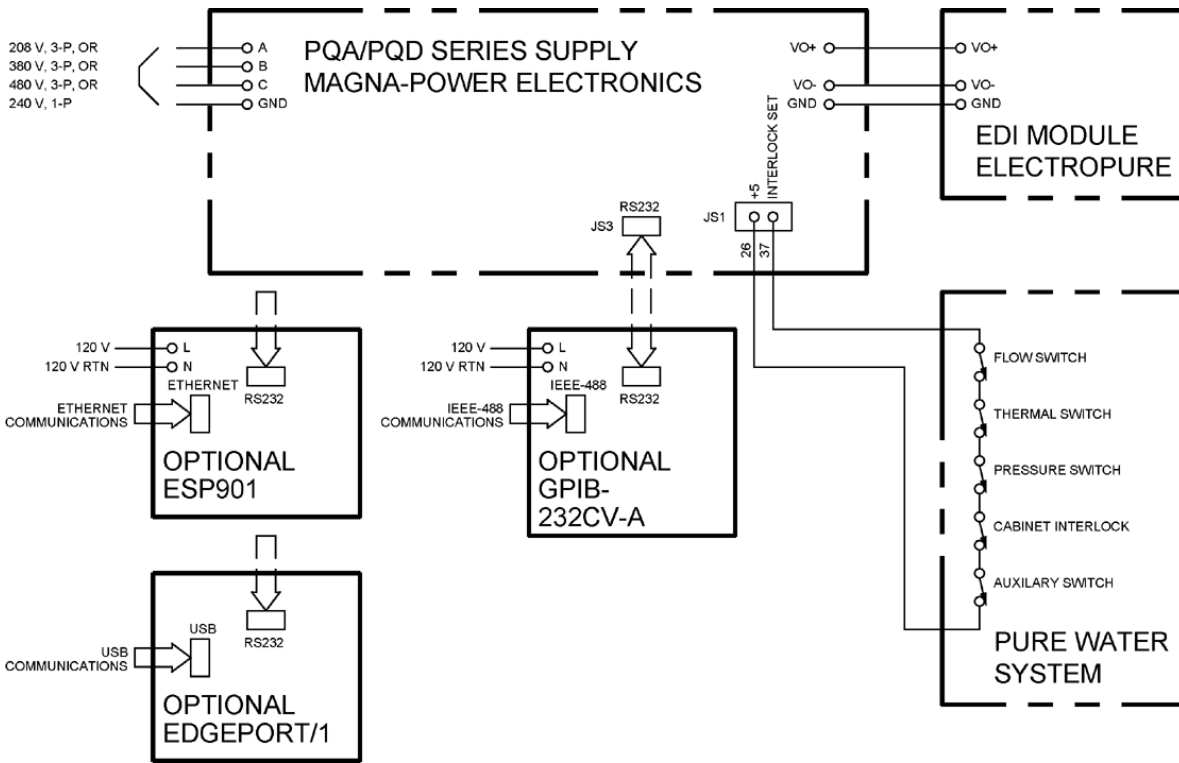
## WATER TREATMENT APPLICATIONS

Magna-Power Electronics is a supplier of power conditioning equipment for SnowPure, <http://www.snowpure.com/>. SnowPure manufactures and markets leading-edge electrodeionization (EDI) modules for the production of ultrapure water. EDI, or electrodeionization, is a continuous process used in industrial and commercial water purification systems, with reverse osmosis, to remove all ions and salts from water. It replaces traditional batch deionization resin bed technology which requires large quantities of chemicals for regeneration. SnowPure's modules range from 0.5 GPM to 10 GPM, and can be arrayed in parallel to deliver up to 1000 GPM.



(click for a larger view)

Figure 1. EDI System with user interface



(click for a larger view)

Figure 2. EDI System with RS232 or optional interfaces

For more information on SnowPure's products, visit their website at: <http://www.snowpure.com/>.

